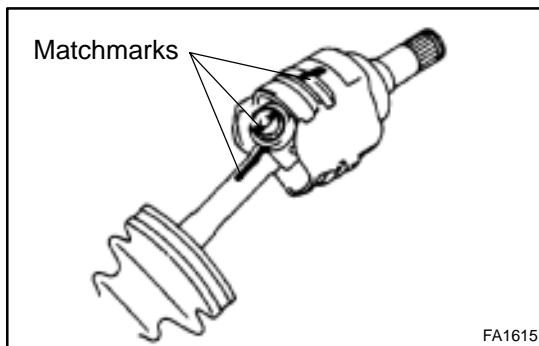


DISASSEMBLY

1. DISASSEMBLE DRIVE SHAFT

- (a) Check the drive shaft.
 - (1) Check to see that there is no remarkable play in the outboard joint.
 - (2) Check to see that the inboard joint slides smoothly in the thrust direction.
 - (3) Check to see that there is no remarkable play in the radial direction of the inboard joint.
 - (4) Check the boots for damage.
- (b) Remove the inboard and outboard joint boot clamps.
 - (1) Using a screwdriver, unclamp the 2 inboard joint boot clamps.
 - (2) Using a side cutter, cut the 2 outboard joint boot clamps and remove them.
- (c) Remove the inboard joint shaft.
 - (1) Slide the inboard joint boot toward the outboard joint.
 - (2) Place matchmarks on the inboard joint shaft, tripod and outboard joint shaft.



NOTICE:

Do not punch the marks.

- (3) Remove the inboard joint shaft from the outboard joint shaft.
- (d) Remove the tripod.
 - (1) Using a snap ring expander, remove the snap ring.
 - (2) Place matchmarks on the outboard joint shaft and tripod.

NOTICE:

Do not punch the marks.

- (3) Using a brass bar and hammer, remove the tripod from the outboard joint shaft.

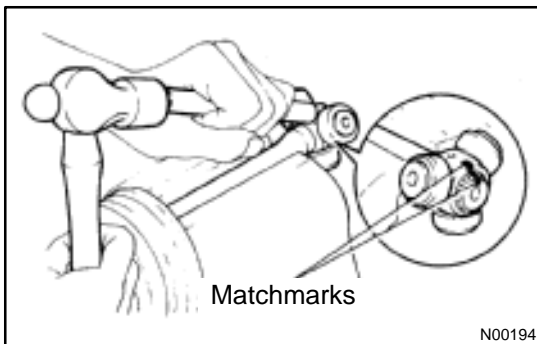
NOTICE:

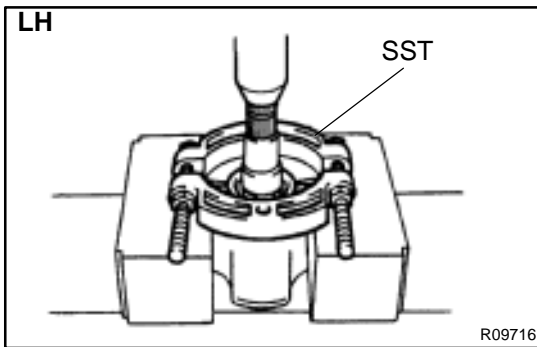
Do not tap the roller.

- (e) Remove the inboard and outboard joint boots and inboard joint clamps.

NOTICE:

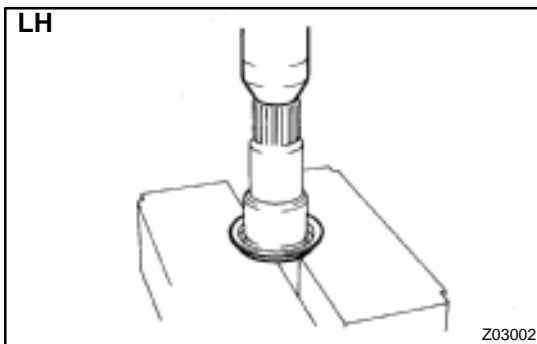
Do not disassemble the outboard joint.



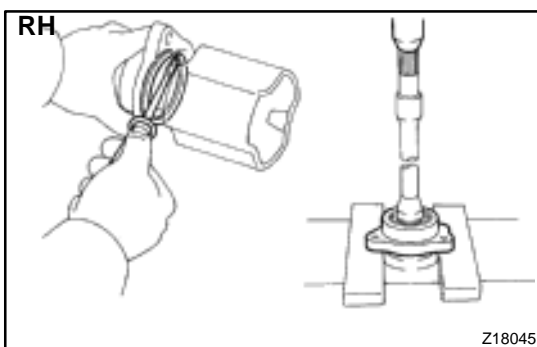


2. DISASSEMBLE INBOARD JOINT SHAFT

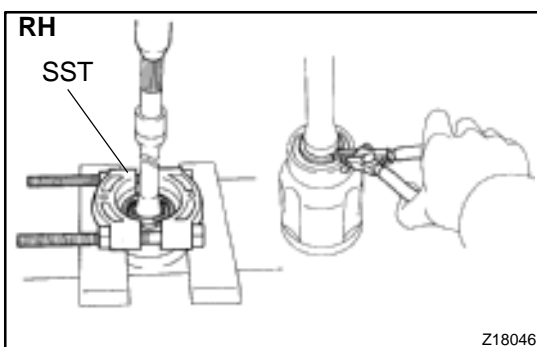
- (a) LH:
Remove the dust cover.
Using SST and a press, remove the dust cover.
SST 09950-00020



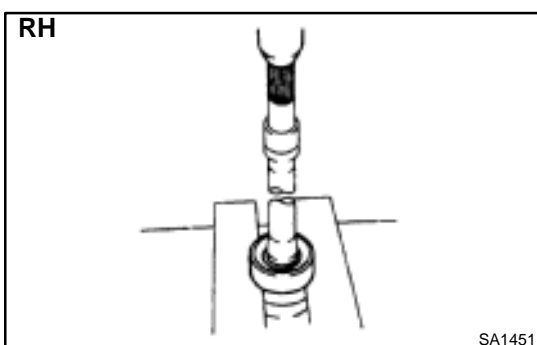
- (b) RH:
Remove the transaxle side dust cover.
Using a press, remove the transaxle side dust cover.



- (c) RH:
Remove the center bearing.
(1) Using a screwdriver, remove the outside snap ring.
(2) Using a press, remove the center bearing case.
(3) Using a pin punch and a hammer, remove the straight pin from the center bearing case.



- (4) Using SST and a press, remove the dust cover.
SST 09950-00020
(5) Using a snap ring expander, remove the inside snap ring.



- (6) Using a press, remove the center bearing.
(7) Using a snap ring expander, remove the outside snap ring.